

Quarter-turn locks with cylinder, small version

Item description/product images



Description

Material:

Housing and actuator die-cast zinc.

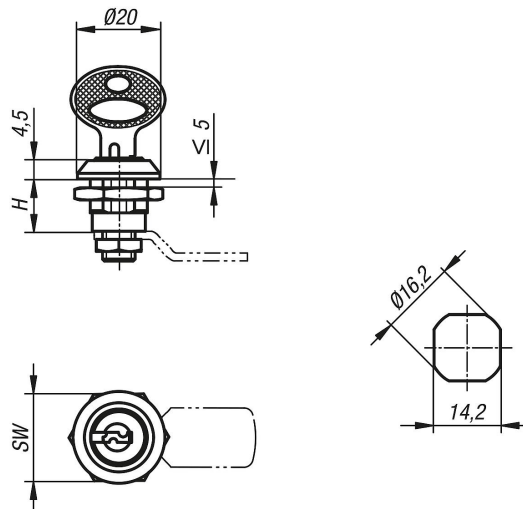
Version:

Housing and actuator chrome-plated.

Note:

Small quarter turn with cylinder, deployable right or left. The lock can be installed pre-assembled. The fastening nut is an earthing nut with teeth one side. These quarter turns with cylinder are supplied with 2 keys. The key can be removed in both positions (open and closed). All cylinders are identical i.e. all locks can be opened with the same key.

Drawings



Overview of items

Order No.	Actuation	H	SW
K0520.131	key single-key system	13	20