

Toe clamps

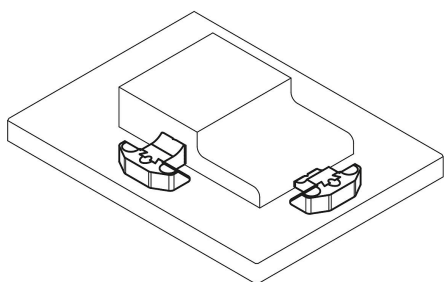
Item description/product images



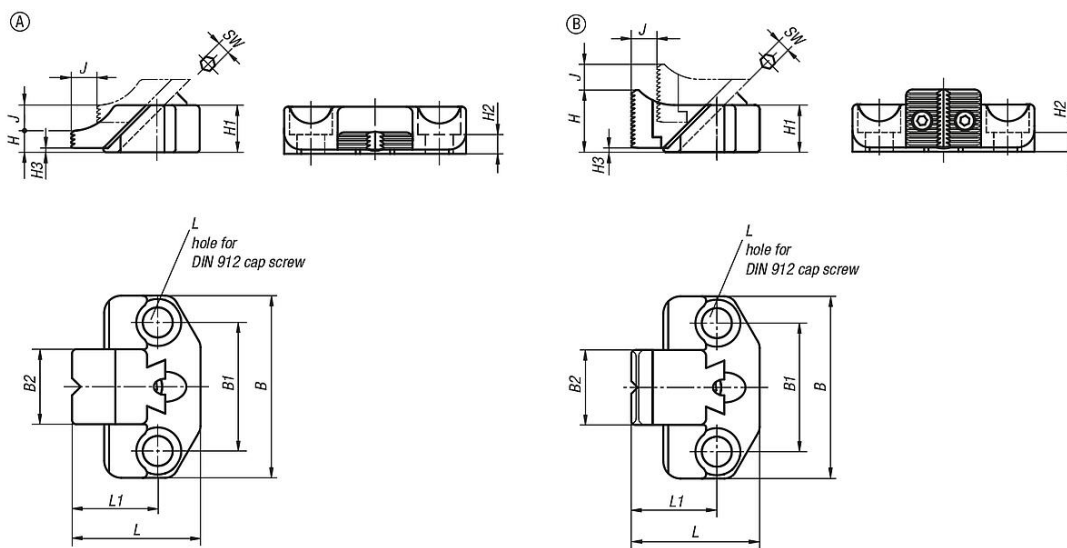
Description

Material:
Carbon steel.

Version:
Body tempered and black oxidised.
Jaw plate black oxidised and tempered on the edges.



Drawings



Overview of items

Toe clamps

Order No.	Form	B	B1	B2	G	H	H1	H2	H3	J	L	L1	SW	Clamping force N	Tightening torque Nm
K0933.0808	A	65	45	25	M8	7,5	16	7	1,5	7	39,5	25	4	4000	8
K0933.1210	A	85	60	35	M12	10	22	9	2	12	60	40	6	9000	26
K0933.1614	A	100	70	40	M16	14	30	13	2	14	77	50	8	17000	60

Toe clamps

Overview of items

Order No.	Form	B	B1	B2	G	H	H1	H2	H3	J	L	L1	SW	Clamping force N	Tightening torque Nm
K0933.0820	B	65	45	25	M8	19,5	16	7	1,5	7	39,5	25	4	4000	8
K0933.1229	B	85	60	35	M12	29	22	9	2	12	60	40	6	9000	26
K0933.1638	B	100	70	40	M16	38	30	13	2	14	77	50	8	17000	60