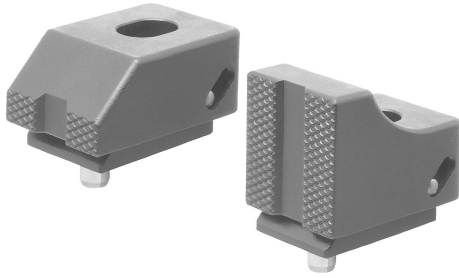


Toe clamps

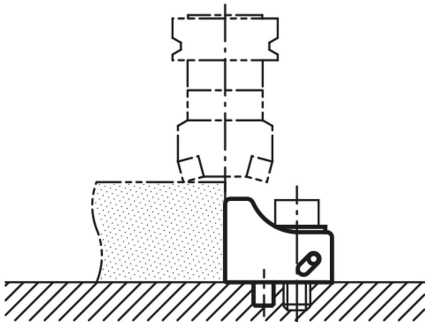
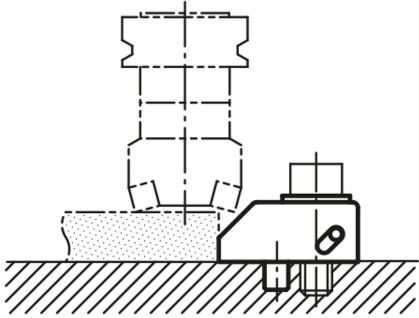
Item description/product images



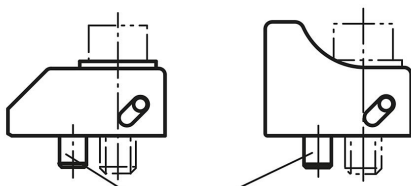
Description

Material:
Carbon steel.

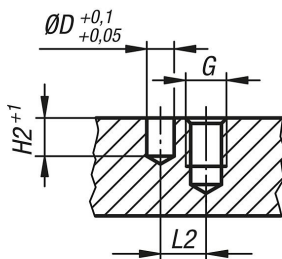
Version:
Tempered and black oxidised.



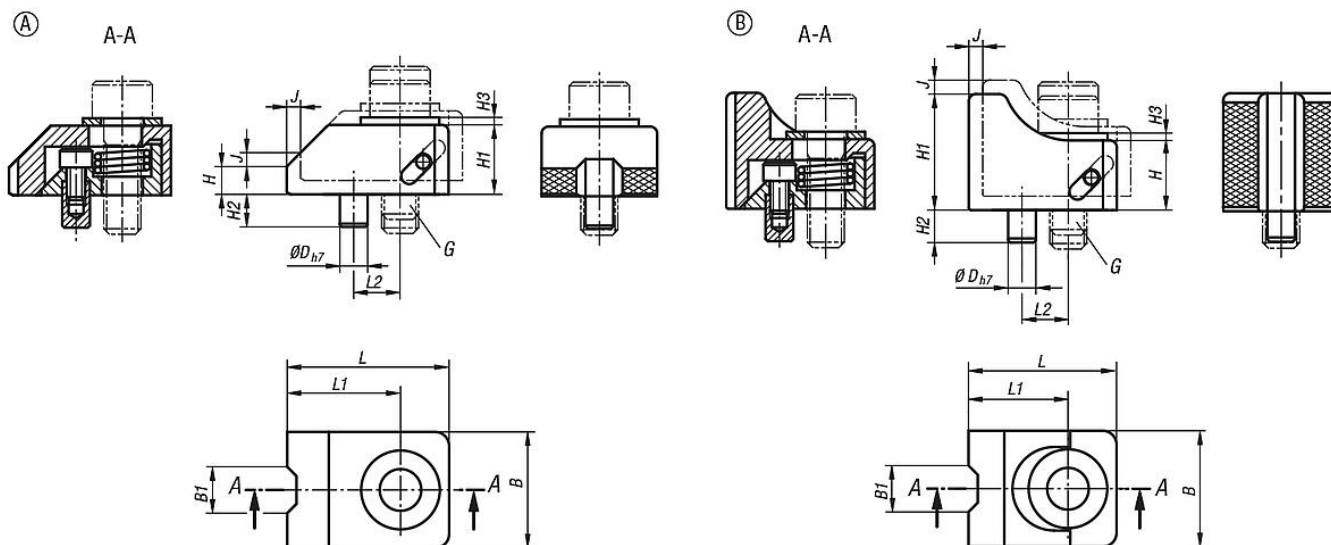
mounting instructions:



locating pin



Drawings



Overview of items

Toe clamps

Order No.	Form	B	B1	D	G	H	H1	H2	H3	J	L	L1	L2	Clamping force N	Tightening torque Nm
K0932.0806	A	25	10	6	M8	6	15	7	1,6	3	35	24,5	10	7000	25
K0932.1008	A	30	11	6	M10	8	19	7	2	4	43	29	12	8500	50
K0932.1209	A	35	12	8	M12	9	23	10	2,3	5	54	37	16	20000	90
K0932.1610	A	40	14	10	M16	10	25	10	3,2	6	65	45	20	40000	200
K0932.0825	B	25	10	6	M8	15	25	7	1,6	3	32	21,5	10	7000	25
K0932.1032	B	30	11	6	M10	19	32	7	2	4	40	26	12	8500	50
K0932.1238	B	35	12	8	M12	23	38	10	2,3	5	50	33	16	20000	90
K0932.1645	B	40	14	10	M16	25	45	10	3,2	6	60	40	20	40000	200