

Toe stops

Item description/product images



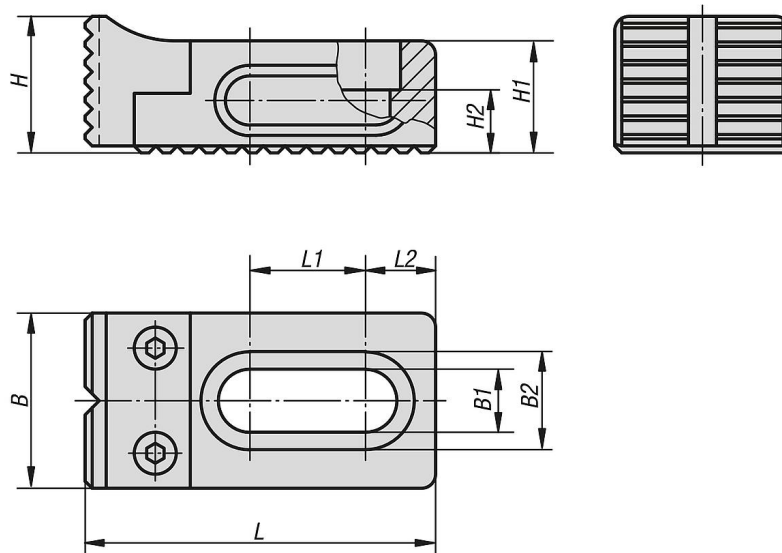
Description

Material:
Carbon steel.

Version:
Body black oxidised.
Jaw plate tempered and black oxidised.
The contact face of the jaw plate is serrated.

Note:
The adjustable stop is used together with the rack plate CL.

Drawings



Overview of items

Toe stops

Order No.	B	B1	B2	H	H1	H2	L	L1	L2
K0853.97008016	25	8,5	14	19,5	16	7	50	16,5	10
K0853.97012022	35	13	20	29	22	10	75	20	13,5
K0853.97016030	40	17	26	39	30	13	95	30	17,5