

Spherical knobs biopolymer with internal thread

Item description/product images



Description

Material:

Biopolymer, beech.
Bush steel 5.8

Version:

Bush trivalent blue passivated.
Natural beech with beech fibres or coloured black grey.

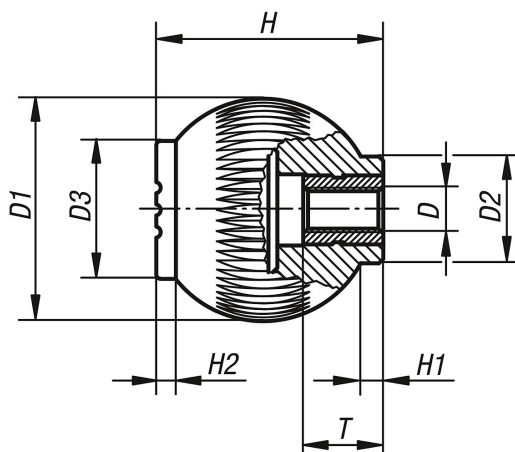
Advantages:

This biopolymer is manufactured entirely from renewable raw materials (oil free).
Conservation of finite fossil resources.
The wood fibres originate 100% from local, sustainably managed forests in Germany.

Features:

Excellent mechanical stability (certified with a minimum of 2x safety factor).
Biopolymer is suitable for recycling (comparable to thermoplastics).
Suitable for outdoor use (not biodegradable).
Excellent resistance to strong acids and lyes.
Short-term resistance to alcohol, fuel, mineral oil and grease.

Drawings



Overview of items

Order No.	Main colour	D	D1	D2	D3	H	H1	H2	T
K0253.10106143	natural beech	M6	25	12	17	25	3	2	10
K0253.10208143	natural beech	M8	32	15,5	19	33	3,5	2,6	14
K0253.1010690	black grey RAL 7021	M6	25	12	17	25	3	2	10
K0253.1020890	black grey RAL 7021	M8	32	15,5	19	33	3,5	2,6	14

