

## Four lobe grips with external thread

Item description/product images



### Description

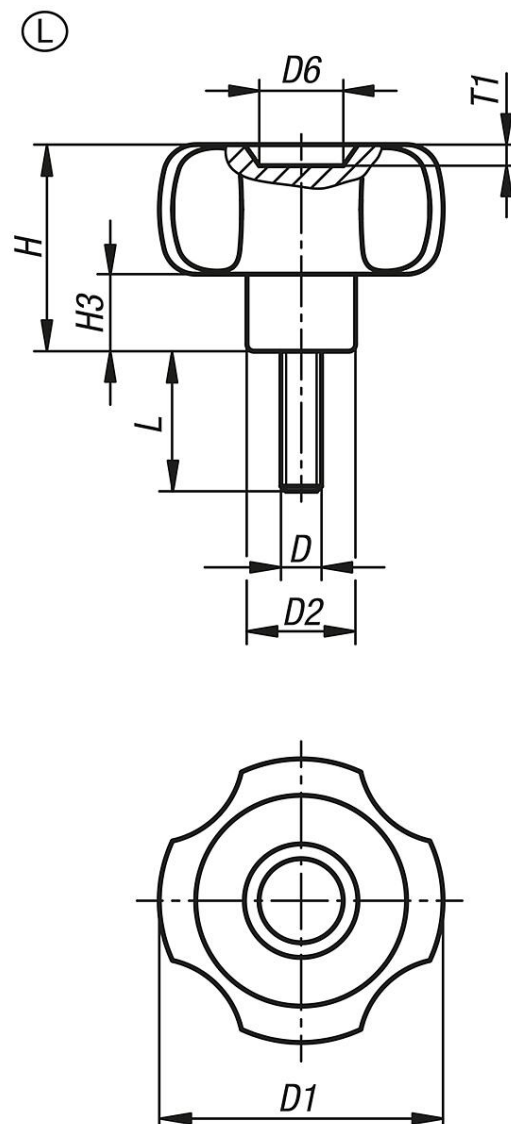
**Material:**

Fibreglass reinforced thermoplastic.  
Screw steel.

**Version:**

Grip, black.  
Screw electro zinc-plated.

### Drawings



## Four lobe grips with external thread

### Overview of items

Order No.	Form	D	D1	D2	D6	H	H3	T1	L
K1093.43006X16	L	M6	30	15	12	23	9,5	2	16
K1093.43006X20	L	M6	30	15	12	23	9,5	2	20
K1093.43006X30	L	M6	30	15	12	23	9,5	2	30
K1093.43006X40	L	M6	30	15	12	23	9,5	2	40
K1093.43006X50	L	M6	30	15	12	23	9,5	2	50
K1093.44006X16	L	M6	40,5	15,5	12	29,5	11	3	16
K1093.44006X20	L	M6	40,5	15,5	12	29,5	11	3	20
K1093.44008X20	L	M8	40,5	15	12	29,5	11	3	20
K1093.44008X30	L	M8	40,5	15	12	29,5	11	3	30
K1093.44008X40	L	M8	40,5	15	12	29,5	11	3	40
K1093.45208X16	L	M8	50	20,5	14,5	32,5	11	2,5	16
K1093.45208X20	L	M8	50	20,5	14,5	32,5	11	2,5	20
K1093.45208X30	L	M8	50	20,5	14,5	32,5	11	2,5	30
K1093.45208X40	L	M8	50	20,5	14,5	32,5	11	2,5	40
K1093.45208X50	L	M8	50	20,5	14,5	32,5	11	2,5	50
K1093.46010X20	L	M10	59	23	24	40	15	4	20
K1093.46010X30	L	M10	59	23	24	40	15	4	30
K1093.46010X40	L	M10	59	23	24	40	15	4	40
K1093.46010X50	L	M10	59	23	24	40	15	4	50
K1093.46012X50	L	M12	59	23	24	40	15	4	50
K1093.48010X30	L	M10	79	30	21	41	17	3	30
K1093.48010X50	L	M10	79	30	21	41	17	3	50
K1093.48012X50	L	M12	79	30	21	41	17	3	50