

Levelling sets with locknut

Item description/product images



Description

Material:

Steel 1.7225.

Stainless steel 1.4305.

Version:

Seel version trivalent blue passivated.

Stainless steel version bright.

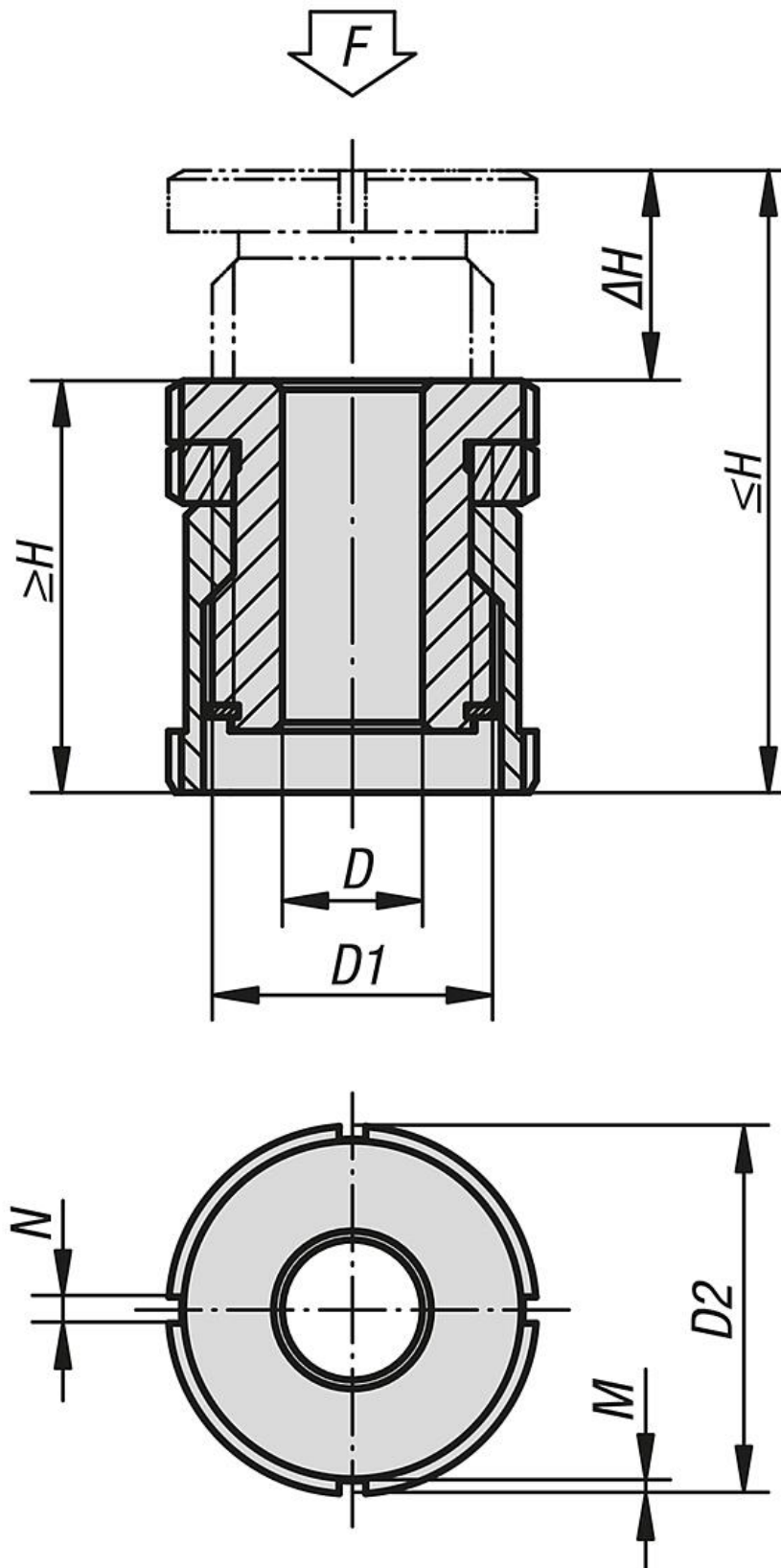
Note:

Levelling sets are used for mounting, levelling and aligning motors, aggregates, drive units and assembly lines. The locknut secures a prescribed setting. Other sizes available on request.

The static additional load F_1 is effective after deducting the tensioning force (screw $8.8, \mu m = 0.125$) from the total load F .

Accessory:

K0787 Hook wrench with lug, DIN 1810A enhanced.



Levelling sets with locknut

Overview of items

Levelling sets, with locknut

Order No.	Main material	D	for screw	D1	D2	H min.	H max.	ΔH	N	M	F kN	F1 kN
K0693.01004	QT steel	4,5	M4	M15x1	25	33	43	10	4	2	40	36
K0693.01005	QT steel	5,5	M5	M15x1	25	33	43	10	4	2	40	33,4
K0693.01006	QT steel	6,6	M6	M15x1	25	33	43	10	4	2	40	30,7
K0693.01406	QT steel	6,6	M6	M20x1	32	41	55	14	4	2	65	55,7
K0693.01408	QT steel	9	M8	M20x1	32	41	55	14	4	2	65	48
K0693.01410	QT steel	11	M10	M20x1	32	41	55	14	4	2	65	37,9
K0693.01810	QT steel	11	M10	M30x1,5	45	49	67	18	5	2	120	92,9
K0693.01812	QT steel	13,5	M12	M30x1,5	45	49	67	18	5	2	120	80,4
K0693.01816	QT steel	17,5	M16	M30x1,5	45	49	67	18	5	2	120	45,5
K0693.02316	QT steel	17,5	M16	M40x1,5	58	63	86	23	6	2,5	210	136
K0693.02320	QT steel	22	M20	M40x1,5	58	63	86	23	6	2,5	210	90
K0693.02324	QT steel	26	M24	M40x1,5	58	63	86	23	6	2,5	210	37
K0693.02920	QT steel	22	M20	M50x1,5	70	77	106	29	6	2,5	330	210
K0693.02924	QT steel	26	M24	M50x1,5	70	77	106	29	6	2,5	330	157
K0693.02930	QT steel	33	M30	M50x1,5	70	77	106	29	6	2,5	330	53
K0693.010041	stainless steel	4,5	M4	M15x1	25	33	43	10	4	2	27,1	24,14
K0693.010051	stainless steel	5,5	M5	M15x1	25	33	43	10	4	2	27,1	22,24
K0693.010061	stainless steel	6,6	M6	M15x1	25	33	43	10	4	2	27,1	20,26
K0693.014061	stainless steel	6,6	M6	M20x1	32	41	55	14	4	2	43,4	36,56
K0693.014081	stainless steel	9	M8	M20x1	32	41	55	14	4	2	43,4	30,86
K0693.014101	stainless steel	11	M10	M20x1	32	41	55	14	4	2	43,4	23,41
K0693.018101	stainless steel	11	M10	M30x1,5	45	49	67	18	5	2	84	64,01
K0693.018121	stainless steel	13,5	M12	M30x1,5	45	49	67	18	5	2	84	54,82
K0693.018161	stainless steel	17,5	M16	M30x1,5	45	49	67	18	5	2	84	28,9
K0693.023161	stainless steel	17,5	M16	M40x1,5	58	63	86	23	6	2,5	148	92,9
K0693.023201	stainless steel	22	M20	M40x1,5	58	63	86	23	6	2,5	148	59,08
K0693.023241	stainless steel	26	M24	M40x1,5	58	63	86	23	6	2,5	148	20,3
K0693.029201	stainless steel	22	M20	M50x1,5	70	77	106	29	6	2,5	225	136,08
K0693.029241	stainless steel	26	M24	M50x1,5	70	77	106	29	6	2,5	225	97,3
K0693.029301	stainless steel	33	M30	M50x1,5	70	77	106	29	6	2,5	225	20,6