

Wing grips for hexagon socket screws

Item description/product images



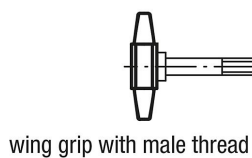
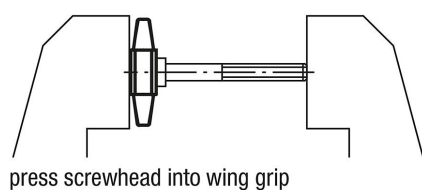
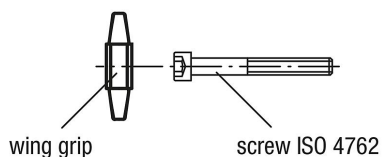
Description

Material:
Thermoplastic.

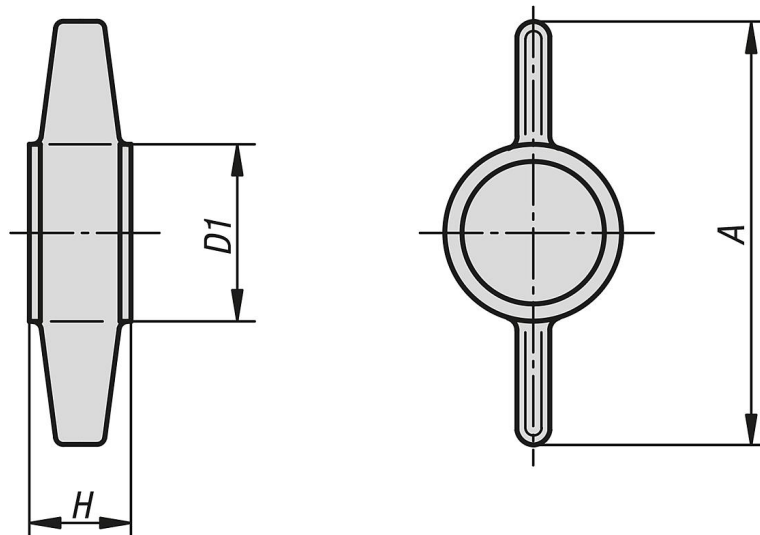
Version:
Black, grey or red.

Note:
Suitable screws ISO 4762.

Δ Add the desired grip colour here. No colour code is required for black grips.



Drawings



Overview of items

Wing grips for hexagon socket screws

Wing grips for hexagon socket screws

Overview of items

Order No.	Main colour	A	D1	H	for cap screws
K0681.050	black	26	12	7	M5
K0681.0505	grey	26	12	7	M5
K0681.0506	red	26	12	7	M5
K0681.060	black	30	13,5	8	M6
K0681.0605	grey	30	13,5	8	M6
K0681.0606	red	30	13,5	8	M6
K0681.080	black	38	17	10	M8
K0681.0805	grey	38	17	10	M8
K0681.0806	red	38	17	10	M8
K0681.100	black	45	20	12,5	M10
K0681.1005	grey	45	20	12,5	M10
K0681.1006	red	45	20	12,5	M10