

# V-blocks split RH

## Item description/product images



### Description

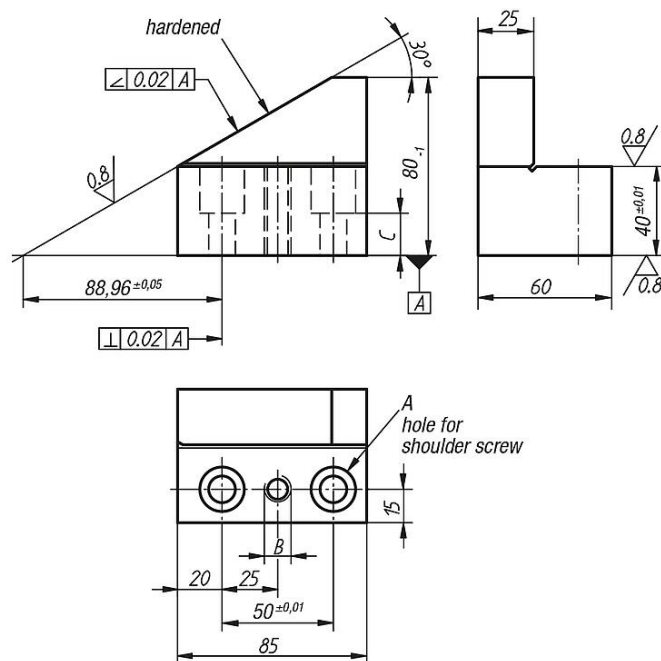
**Material:**  
Carbon steel.

**Version:**  
Black oxidised.  
Half prism (30°) and contact faces ground.

**Note:**  
Right-Hand Split V-Blocks are used for positioning round parts. Split V-Blocks permit adjustment to the respective workpiece diameter.

## Drawings

right hand



## Overview of items

Order No.	Version 1	A	B	C	D min.	D max.	Suitable shoulder screw
K0819.6301230	right	12 F7	M12	23	50	600	K0815.112055
K0819.6301630	right	16 F7	M16	20	50	600	K0815.116055