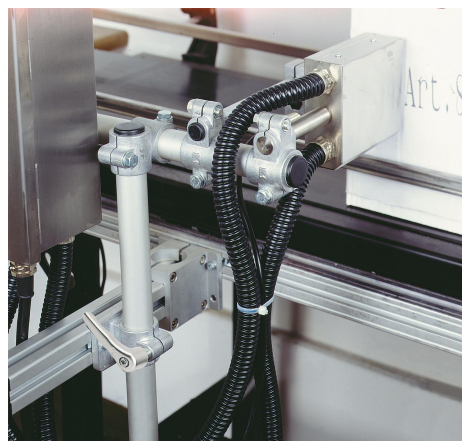
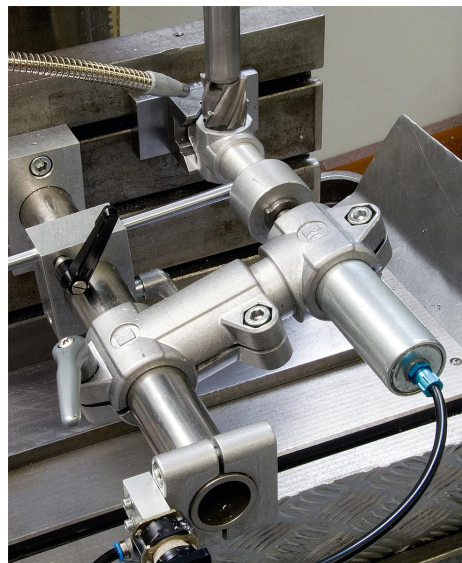


Tube clamps swivel half sunken teeth, plastic

Item description/product images



Description

Material:

Thermoplastic.
DIN 7984 screws and DIN 985 nuts steel.

Version:

Black.
Screws and nuts electro zinc-plated.

Note:

Swivel half clamps with sunken teeth can be combined with swivel half clamps with raised teeth (K0485) to make a complete swivel clamp.
The standard size for round tubes is $\varnothing 18$ mm or $\varnothing 30$ mm. Use reducer sleeves K0492 if smaller tubes are to be clamped or a conversion from round to square tubes is required.

Assembly:

K0484.18 and K0485.18 can be combined using a DIN 985 M6 nut (K1148) and a DIN 6912 M6x18 cap screw (K1160).

K0484.30 and K0485.30 can be combined using a DIN 985 M8 nut (K1148) and a DIN 6912 M8x25 cap screw (K1160).

On request:

Plastic clamping levers for tightening.

Accessory:

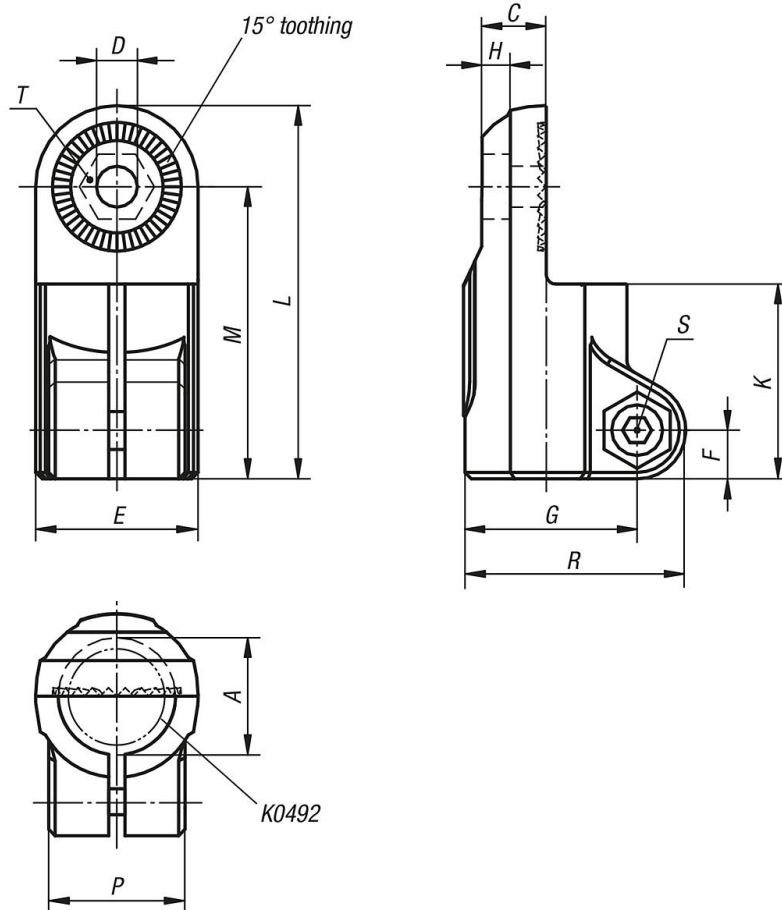
- Reducer sleeves K0492
- Round and square tubes K0493

Tube clamps swivel half sunken teeth, plastic

Item description/product images



Drawings



Overview of items

Tube clamps swivel half, sunken teeth, plastic

Tube clamps swivel half sunken teeth, plastic

Overview of items

Order No.	A	C	D	E	F	G	H	K	L	M	P	R	S	T
K0484.18	18	9,9	6,1	25	7,5	26,5	5,9	30	57,5	45	21	34	M6x18	M6-DIN 985
K0484.30	30	16,5	8,1	40	11	41,5	6,5	45	88	68	28,5	52,5	M8x25	M8-DIN 985