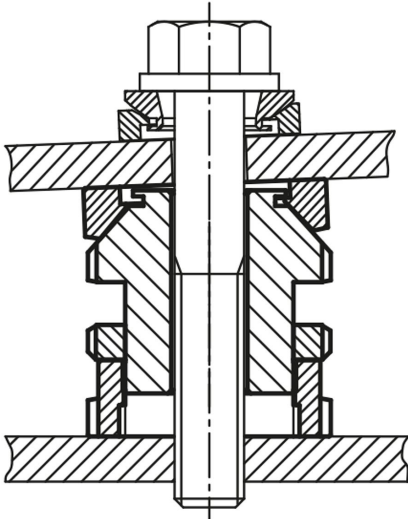


Levelling sets spherical washer with locknut

Item description/product images



Description

Version:

Standard version trivalent blue passivated.

Stainless steel version bright.

Note:

The spherical washer levelling set with locknut is used to mount and align motors, aggregates, drive units and production lines. The spherical washer permits exact alignment when mounting on sloping surfaces of up to 4°. The locknut secures a prescribed setting.

The static additional load F_1 is effective after deducting the tensioning force (screw 8.8, $\mu_m = 0.125$) from the total load F .

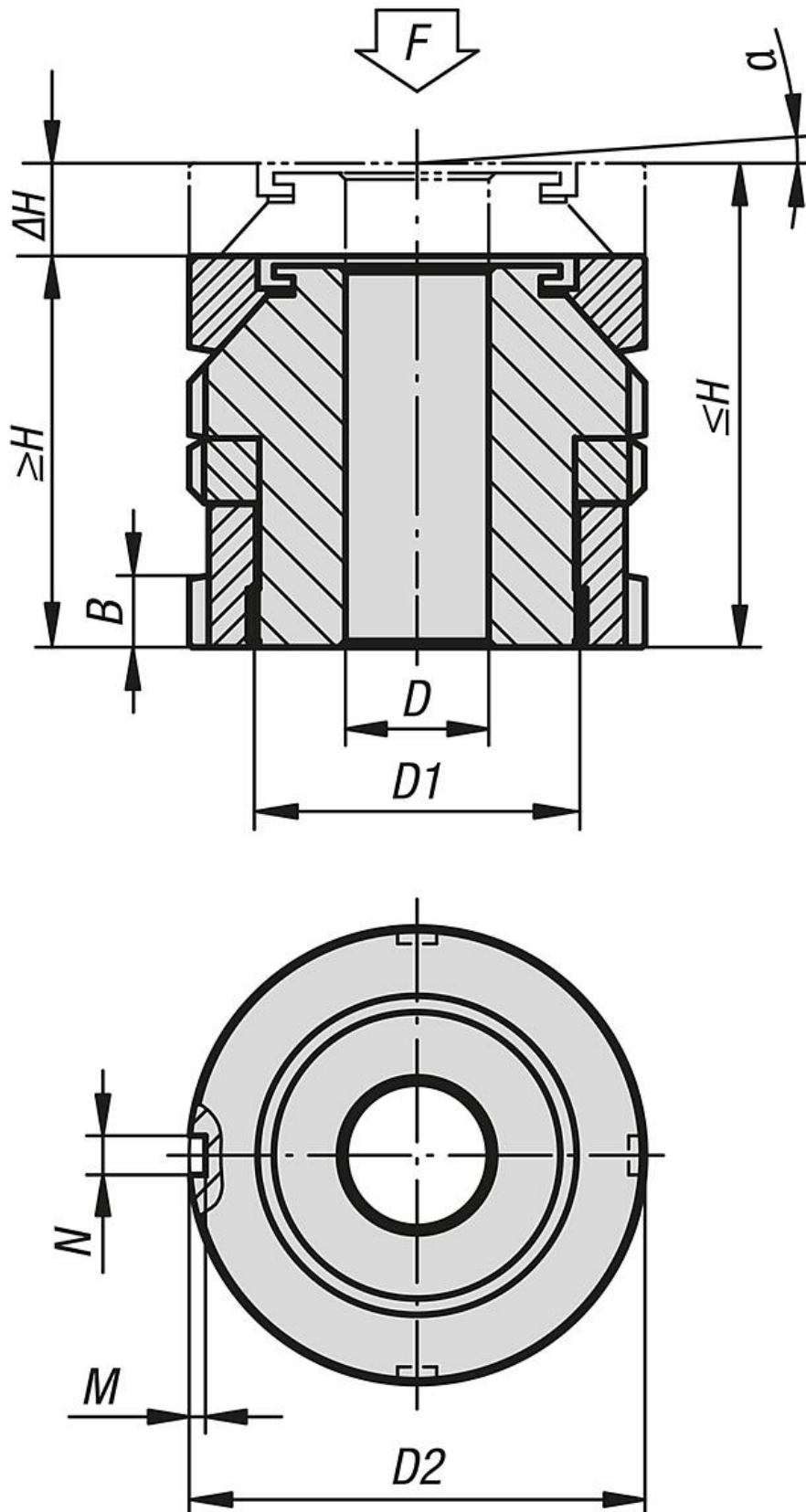
Accessory:

K0691 Spherical levelling washers.

K0787 Hook wrench with lug, DIN 1810A enhanced.

Levelling sets spherical washer with locknut

Drawings



Levelling sets spherical washer with locknut

Overview of items

Levelling sets spherical washer with locknut

Order No.	Main material	D	for screw	D1	D2	H min.	H max.	ΔH	N	M	α	F kN	F1 kN
K0115.0406	QT steel	6,6	M6	M15x1	25	27	31	4	4	2	4°	40	36
K0115.0506	QT steel	6,6	M6	M20x1	32	32	37	5	4	2	4°	65	55,7
K0115.0508	QT steel	9	M8	M20x1	32	32	37	5	4	2	4°	65	48
K0115.0510	QT steel	11	M10	M20x1	32	32	37	5	4	2	4°	65	37,9
K0115.0710	QT steel	11	M10	M30x1,5	45	41	48	7	5	2	4°	120	92,9
K0115.0712	QT steel	13,5	M12	M30x1,5	45	41	48	7	5	2	4°	120	80,4
K0115.0716	QT steel	17,5	M16	M30x1,5	45	41	48	7	5	2	4°	120	45,5
K0115.0916	QT steel	17,5	M16	M40x1,5	58	53	62	9	6	2,5	4°	210	136
K0115.0920	QT steel	22	M20	M40x1,5	58	53	62	9	6	2,5	4°	210	90
K0115.0924	QT steel	26	M24	M40x1,5	58	53	62	9	6	2,5	4°	210	37
K0115.1020	QT steel	22	M20	M50x1,5	70	61	71	10	6	2,5	4°	330	210
K0115.1024	QT steel	26	M24	M50x1,5	70	61	71	10	6	2,5	4°	330	157
K0115.1030	QT steel	33	M30	M50x1,5	70	61	71	10	6	2,5	4°	330	53
K0115.1224	QT steel	26	M24	M60x2	80	67	79	12	7	3	4°	495	322
K0115.1230	QT steel	33	M30	M60x2	80	67	79	12	7	3	4°	495	218
K0115.04061	stainless steel	6,6	M6	M15x1	25	27	31	4	4	2	4°	27,1	24,14
K0115.05061	stainless steel	6,6	M6	M20x1	32	32	37	5	4	2	4°	43,4	36,56
K0115.05081	stainless steel	9	M8	M20x1	32	32	37	5	4	2	4°	43,4	30,86
K0115.05101	stainless steel	11	M10	M20x1	32	32	37	5	4	2	4°	43,4	23,41
K0115.07101	stainless steel	11	M10	M30x1,5	45	41	48	7	5	2	4°	84	64,01
K0115.07121	stainless steel	13,5	M12	M30x1,5	45	41	48	7	5	2	4°	84	54,82
K0115.07161	stainless steel	17,5	M16	M30x1,5	45	41	48	7	5	2	4°	84	28,9
K0115.09161	stainless steel	17,5	M16	M40x1,5	58	53	62	9	6	2,5	4°	148	92,9
K0115.09201	stainless steel	22	M20	M40x1,5	58	53	62	9	6	2,5	4°	148	59,08
K0115.09241	stainless steel	26	M24	M40x1,5	58	53	62	9	6	2,5	4°	148	20,3
K0115.10201	stainless steel	22	M20	M50x1,5	70	61	71	10	6	2,5	4°	225	136,08
K0115.10241	stainless steel	26	M24	M50x1,5	70	61	71	10	6	2,5	4°	225	97,3
K0115.10301	stainless steel	33	M30	M50x1,5	70	61	71	10	6	2,5	4°	225	20,6
K0115.12241	stainless steel	26	M24	M60x2	80	67	79	12	7	3	4°	323	195,3
K0115.12301	stainless steel	33	M30	M60x2	80	67	79	12	7	3	4°	323	118,6