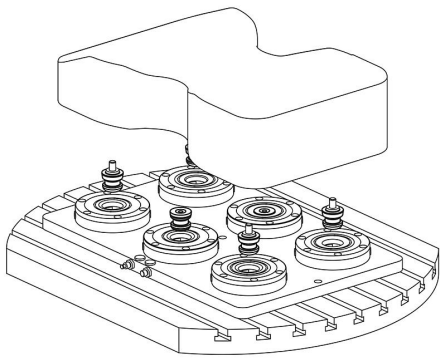
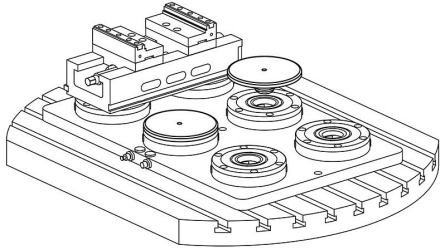


UNILOCK protective plug for clamping module

Item description/product images



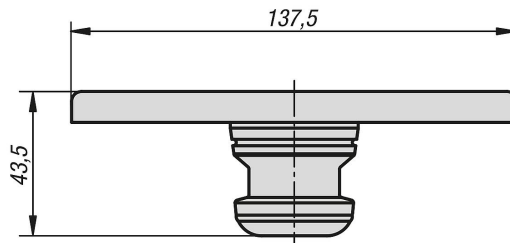
Description

Material:
Aluminium.

Version:
anodised.

Note:
Protective plug for clamping module D = 138.

Drawings



Overview of items

UNILOCK protective plug for clamping module

Order No.	Dimensions
K1010.138	see drawing