

Recessed handle, aluminium, fold-down

Item description/product images

19"



Description

Material:

Die-cast aluminium.

Version:

Tray and handle black or light grey powder-coated, semi-matt.

Note:

With their modern design recessed fold-down handles can be used wherever solid and attractive handles are required.

Handles Form A snap into both resting and working positions.

Handles Form B swivel back into the resting position automatically after use.

Assembly:

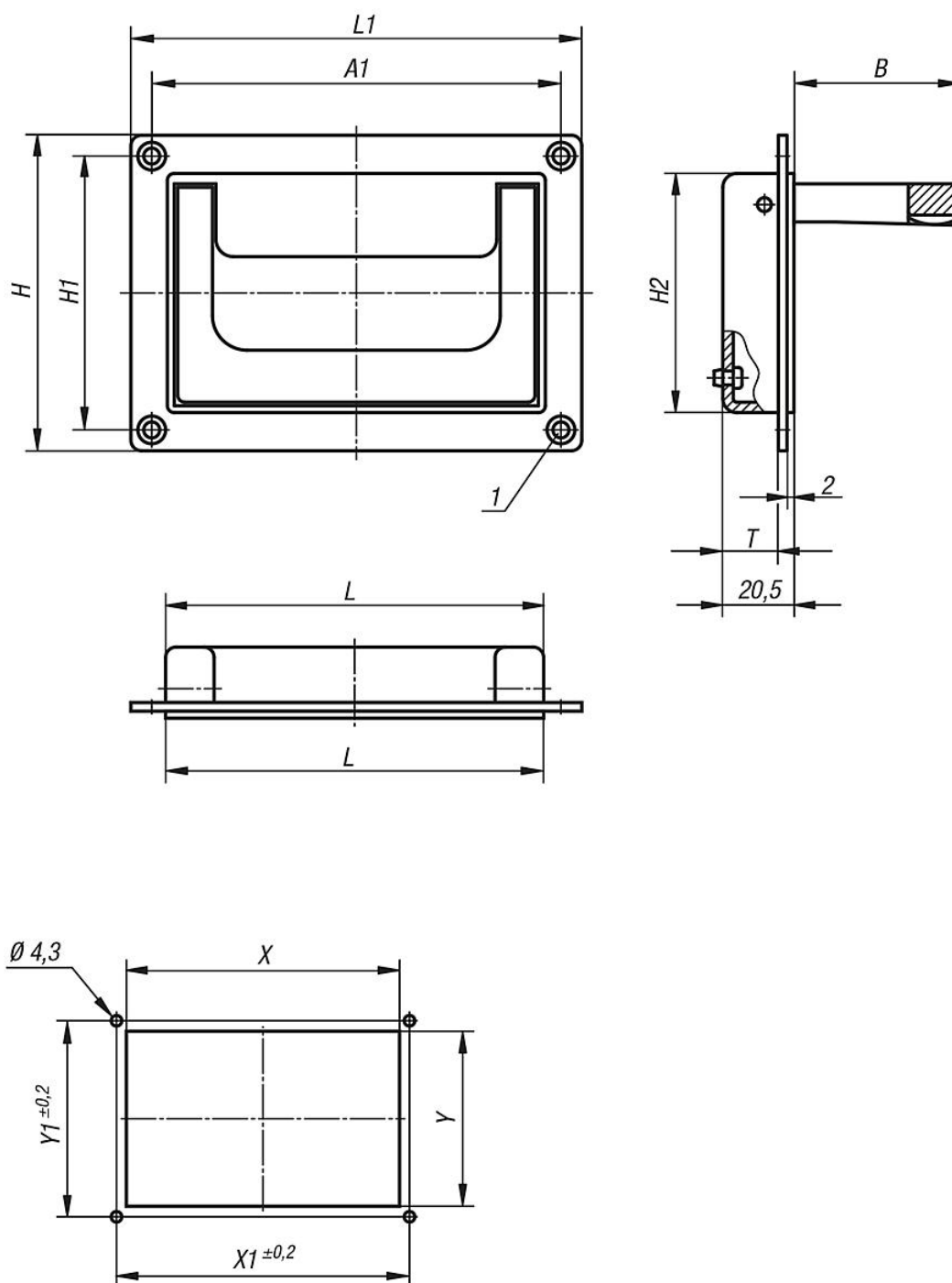
The fold-down recessed handles can be installed from the front or rear of the housing panel with the same housing cutout.

Drawing reference:

1) for countersunk screws M4

Recessed handle, aluminium, fold-down

Drawings



Overview of items

Recessed handles fold-down

Order No.	Form	Main colour	A1	B	H	H1	H2	L	L1	T	X	X1	Y	Y1	Load capacity N
K0240.07911811	A	black	118	48	91	79	69	109	130	16	110	118	70,5	79	500
K0240.05018411	A	black	184	51	80	50	72	170	200	16	171	184	73	50	500
K0240.07911812	A	light grey RAL 7035	118	48	91	79	69	109	130	16	110	118	70,5	79	500
K0240.05018412	A	light grey RAL 7035	184	51	80	50	72	170	200	16	171	184	73	50	500

Recessed handle, aluminium, fold-down

Overview of items

Order No.	Form	Main colour	A1	B	H	H1	H2	L	L1	T	X	X1	Y	Y1	Load capacity N
K0240.07911821	B	black	118	48	91	79	69	109	130	16	110	118	70,5	79	500
K0240.05018421	B	black	184	51	80	50	72	170	200	16	171	184	73	50	500
K0240.07911822	B	light grey RAL 7035	118	48	91	79	69	109	130	16	110	118	70,5	79	500
K0240.05018422	B	light grey RAL 7035	184	51	80	50	72	170	200	16	171	184	73	50	500