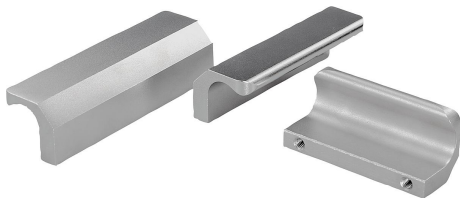


## Ledge handles, stainless steel

### Item description/product images



### Description

**Material:**

Profile stainless steel 1.4404.

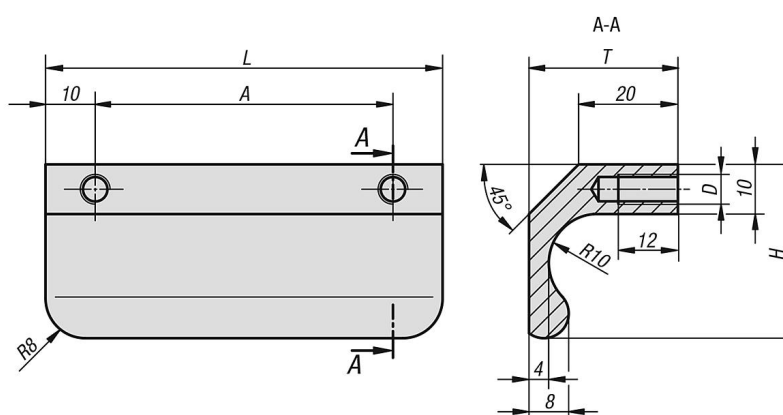
**Version:**

Abrasive cleaned and matt-gloss electropolished.

**On request:**

Any other lengths.

### Drawings



### Overview of items

#### Ledge handles stainless steel

Order No.	A	D	H	L	T	Load capacity N
K0233.06006	60	M6	35	80	30	1000
K0233.08006	80	M6	35	100	30	1000
K0233.10006	100	M6	35	120	30	1000
K0233.13006	130	M6	35	150	30	1000