

Pull handles arched, entirely plastic

Item description/product images



Description

Material:

Glass-bead reinforced thermoplastic.

Version:

matt black.

Note:

Ergonomic and functional pull handles with temperature resistance of -50 °C to +130 °C.

Supplied with DIN 912 electro zinc-plated socket head screws, DIN 934 nuts, DIN 125 electro zinc-plated washers and caps.

The versions K0193.110006 and K0193.210006 are supplied without caps.

Assembly:

From the front.

Drawing reference:

Form A: with base plate

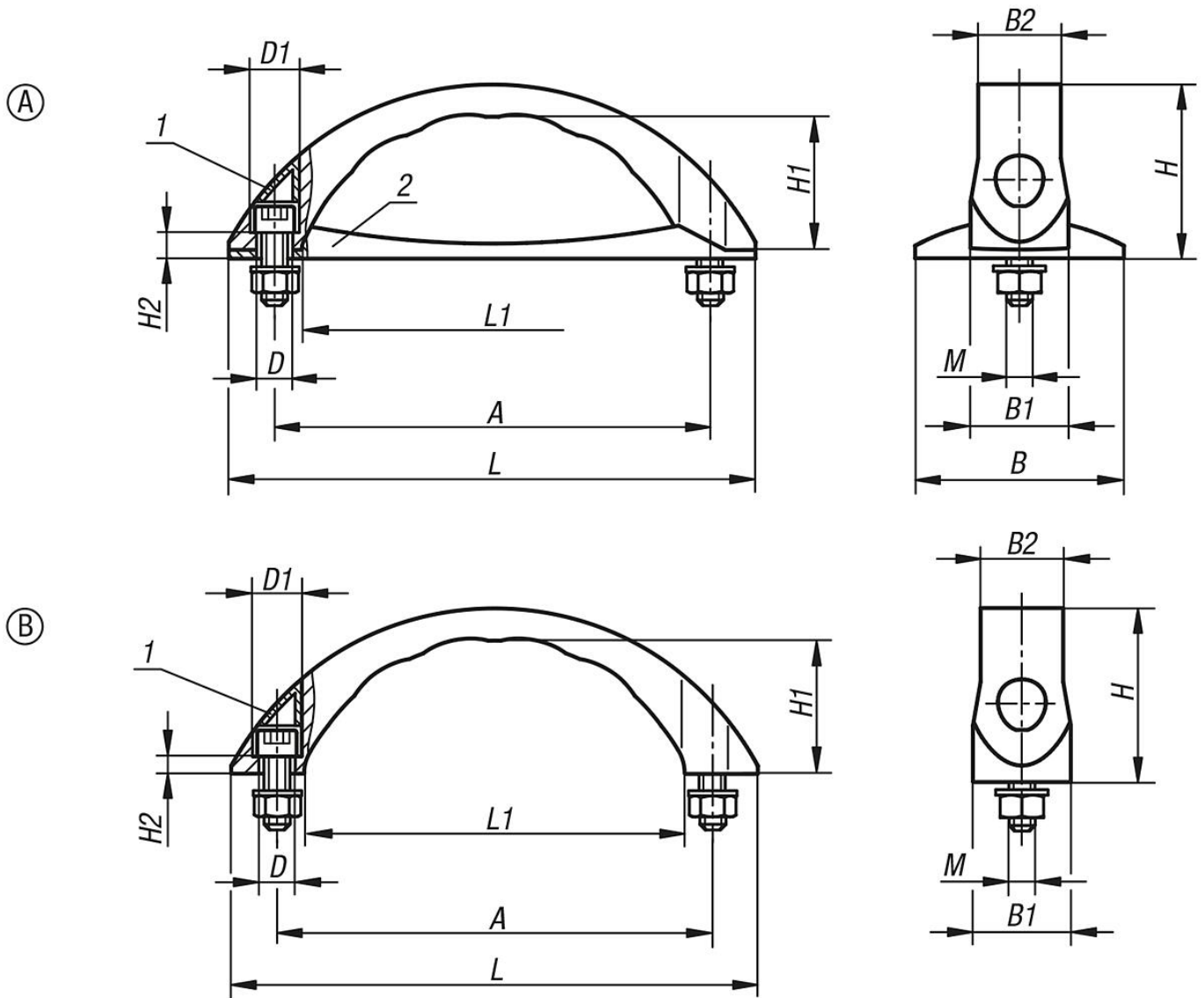
Form B: without base plate

1) cover cap

2) base plate

Pull handles arched, entirely plastic

Drawings



Overview of items

Pull handles, arch

Order No.	Form	Type	Version 1	A	B	B1	B2	D	D1	H	H1	H2	L	L1	M	Load capacity N
K0193.110006	A	with base plate	with base plate	100	48	23	19	7	11	40	29	6	121	84	M6x25	600
K0193.112006	A	with base plate	with base plate	120	57	28	23	7	12	52	36	7	152	104	M6x25	600
K0193.114008	A	with base plate	with base plate	140	62	31	25	9,5	16	56	37	7,5	177	122	M8x30	600
K0193.210006	B	without base plate	without base plate	100	-	23	19	7	11	38	31	4	121	84	M6x25	600
K0193.212006	B	without base plate	without base plate	120	-	28	23	7	12	50	38	5	152	104	M6x25	600
K0193.214008	B	without base plate	without base plate	140	-	31	25	9,5	16	54	39	5,5	177	122	M8x30	600

Pull handles arched, entirely plastic



Overview of items
