

Toggle clamps mini push-pull with mounting bracket

Item description/product images



Description

Material:

Steel or stainless steel.

Version:

Trivalent passivated.

Connecting rod and thrust screw phosphated.

Stainless steel bright.

Plastic grip oil-resistant.

Note:

As the push-pull mini toggle clamps lock in the open and closed handle positions, they can be used to clamp when pushing or pulling.

A neoprene pressure pad is supplied.

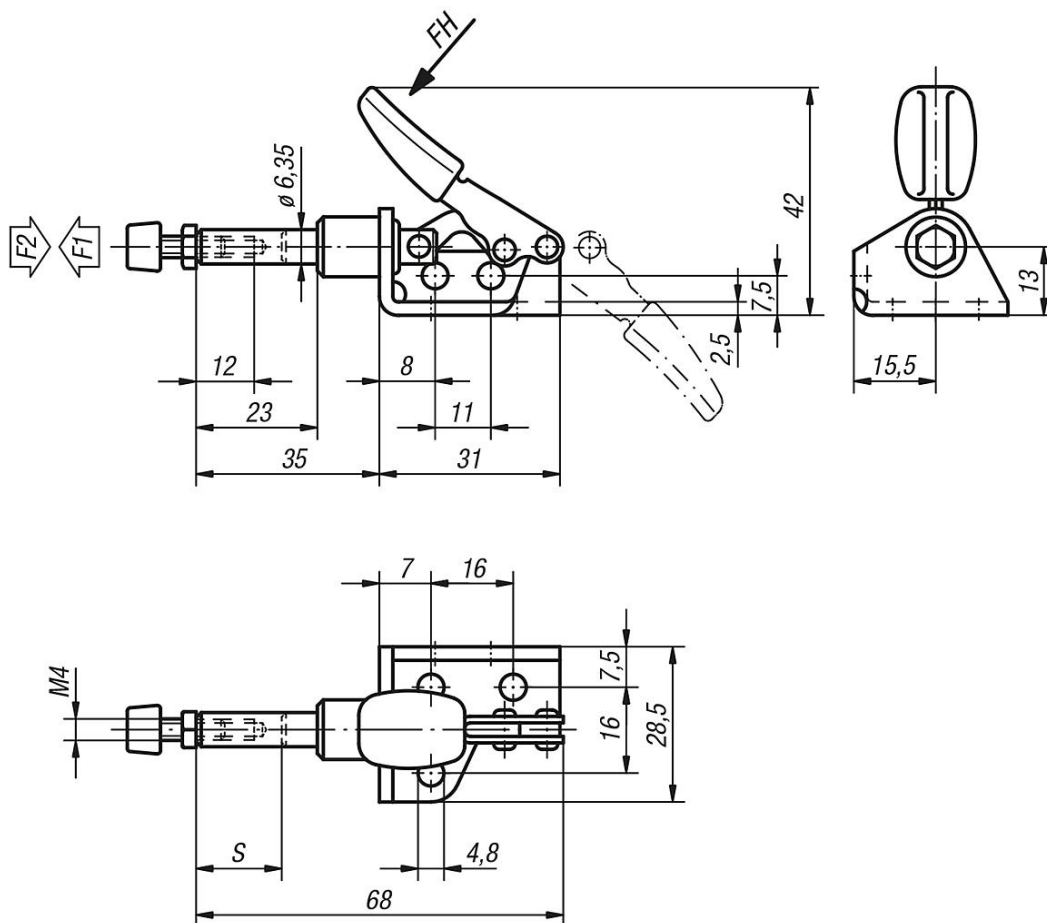
Accessory:

K0101

K0103

K0106

Drawings



Toggle clamps mini push-pull with mounting bracket

Overview of items

Push-pull mini-clamp with mounting bracket

Order No.	Main material	Travel S	Opening angle of handle	Hand force FH N	Retaining force F2 N	Clamping force F1 N
K0083.0050	steel	16	190°	80	500	500
K0083.0050N	stainless steel	16	190°	80	500	500