

Latches with draw bail

Item description/product images



Description

Material:

Steel or stainless steel 1.4301.

Version:

Steel trivalent blue passivated.

Stainless steel bright.

Note:

Latches with draw bail for securing and locking hatches, container lids, machine cladding etc. By exceeding the dead centre they resist vibration.

The fastening force is applied by drawing on the bail.

The hole D2 can be used to secure against unintentional opening or attaching an official lead seal.

The latches can be screwed down or riveted.

Order catch plates separately.

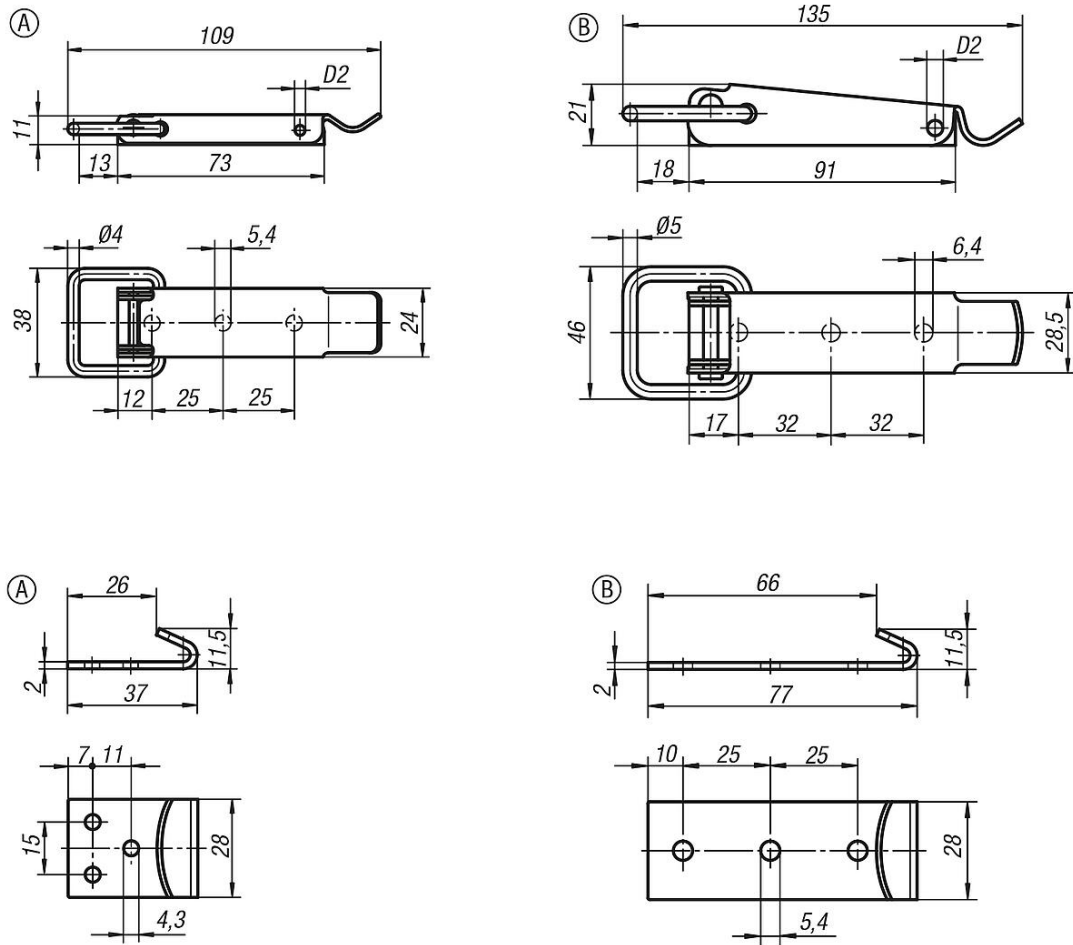
The retaining force F1 applies to the latch, not the catch plate.

On request:

Lockable version with padlock bracket.

Latches with draw bail

Drawings



Overview of items

Latches with draw bail

Order No.	Item	Main material	Form	D2	Retaining force F1 N
K0045.1541091	Latch	steel	A	3,2	2000
K0045.1541092	Latch	stainless steel	A	3,2	2000
K0045.2641351	Latch	steel	B	3,8	3000
K0045.2641352	Latch	stainless steel	B	3,8	3000
K0045.9143371	Catch Plate	steel	A	-	-
K0045.9143372	Catch Plate	stainless steel	A	-	-
K0045.9254771	Catch Plate	steel	B	-	-
K0045.9254772	Catch Plate	stainless steel	B	-	-